



A division of ROSCO
www.gamonline.com



GAM Product #TS6120
Rosco Product #206 3650 00000



#237 American Flag pattern projection at
2010 New York Alumni Assembly

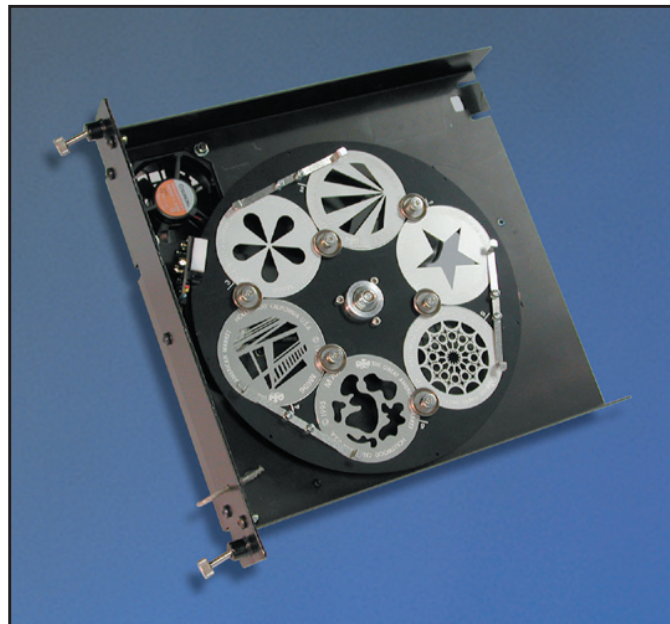
PRODUCT DESCRIPTION

SX4® Six-Gobo Tray

- Excellent choice for display, retail, theatrical or special event applications
- Slides into SX4® Case mounted in ETC Source Four™
- Over 600 patterns available off the shelf
- Custom or any 'M' size pattern
- Can be DMX operated or used with built-in preprogrammed sequences

The SX4® Six-Gobo Tray is designed to fit into the SX4® Case which is attached to an ETC Source Four™ fixed focus ellipsoidal spotlight (see SX4® Case Specifications).

The SX4® has been used on Broadway, in operas, film and television production, special events, retail store displays and anywhere that a special lighting effect is required. It is reliable and efficient with easy to use features including built-in memory sequences that make the Six-Gobo Tray an ideal choice for multi-image projections.



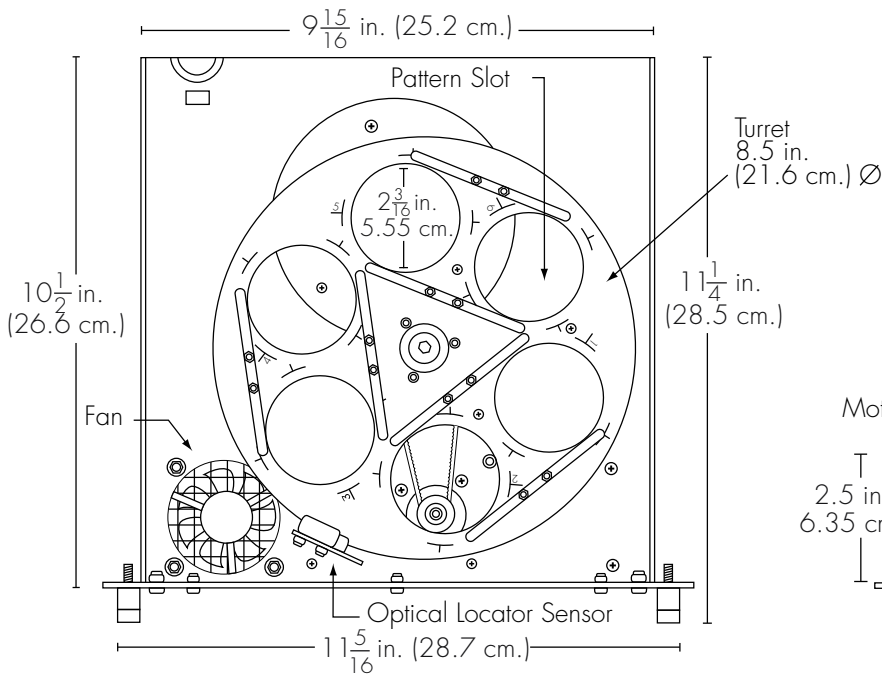
SX4® Six-Gobo Tray
US Patent # 6,926,427
August 9, 2005

PRODUCT SPECIFICATIONS

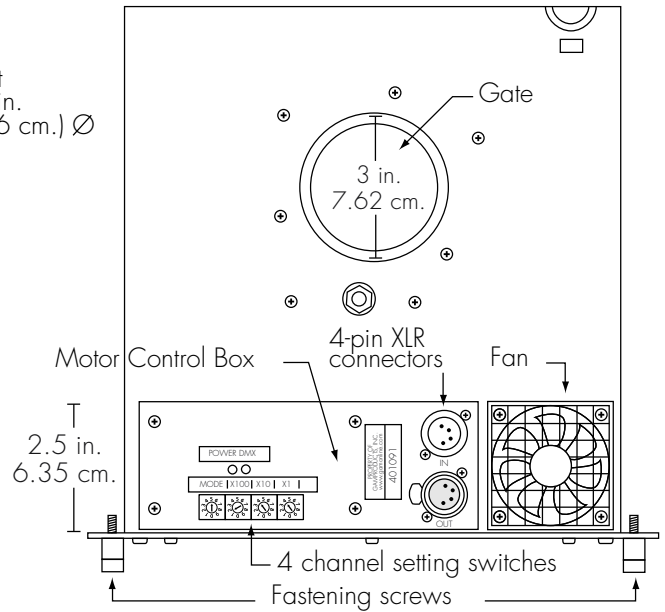
Dimensions:	
Width:	11-5/16 in. (28.7 cm.)
Height:	11-1/4 in. (28.5 cm.)
Deep:	3-1/2 in. (8.89 cm.)
Weight :	3 lbs., 5 oz. (1.44 kgs.)
With SX4® Case:	9 lbs., 10 oz. (4.28 kgs.)
Finish:	Matte black paint
Power Draw:	.3 amp at 120v with our 24 VDC Transformer TSPS-20

CAUTION

When using a DMX device with a discharge lamp such as CDM or an HMI, it's suggested that you separate the power circuit for the discharge lamp from the DMX control device. When using DMX controlled units such as an Indexing TwinSpin™ or SX4® Gobo Changer or DMX Loop Tray, the "noise" from the discharge lamp ballast may cause some interference and or damage the electronics. For best results we recommend providing separate line voltage to the DMX devices and the discharge light fixture.



FRONT VIEW



BACK VIEW

PRODUCT NUMBER

TS6120 / 206 3650 00000

SX4®, 6M-Gobo Tray DMX (24v PSU not included)

TS6120WHT / 206 3650 10000

SX4® (white), 6M-Gobo Tray DMX (24v PSU not included)

TS6120FS / 206 3651 00000

SX4® + Shutters 6M-Gobo Tray DMX(24v PSU not included)

TS6120FSWHT / 206 3651 10000

SX4®+Shutter wht 6M-Gobo TrayDMX(24v PSU not included)

TS6220WHT / 206 3655 10000

SX4®, Tray Only (white) - 6M Gobo Changer

ZPTSSX96 / 206 3655 50000

SX4® 6M-Gobo Turret Wheel (Spare)

S6220 / 206 3656 00000

SX4® Tray Only - 6M Gobo Changer

Power supply is required in both stand alone and DMX operation. DMX cable and power cables supplied by others. Power supply options are as follows:

TSPS-20 / 205 7142 00050

TSPS20 - PSU 50 (no DMX pass-thru)

TSPS-20WHT / 205 7142 10050

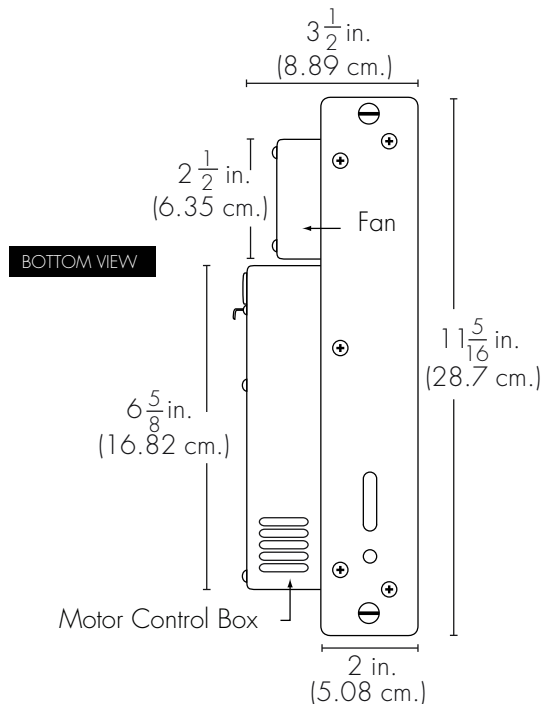
TSPS20 (white) - PSU 50 (no DMX pass-thru)

TSPS-80 / 205 7148 00120

TSPS80 - PSU 200 - 120v only

TSPS-82 / 205 7148 20240

TSPS82 - PSU 200 - 230v only



BOTTOM VIEW